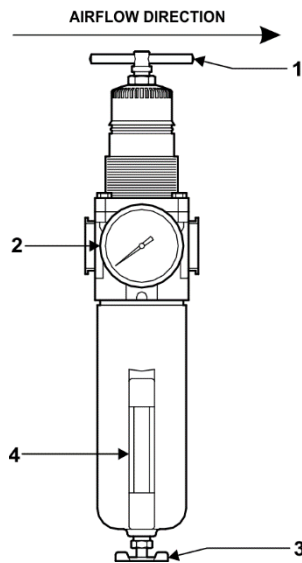


MOTOR GUARD CORPORATION

MODEL AC-4535 COMBINATION FILTER/REGULATOR

INSTALLATION

The AC-4525 Filter/Regulator combines a precision regulator and a particulate filter into an economical air control unit that provides clean regulated air to every drop in the shop.



FEATURES

- True Diaphragm, Self-Relieving Pressure Control
- Full-Range Adjustment
- Rugged, Easily Adjustable T-Handle
- Easy to Read Gauge with Durable Glass Lens
- 5 Micron Sintered Bronze Replaceable Element
- Highly Visible, Ball-Float Type Sight Glass
- Non-Clogging Manual Drain

SPECIFICATIONS

Maximum Airflow:	100 CFM
Operating Temperature Range:	40-175 F
Maximum Inlet Pressure:	250 PSI
Outlet Pressure Range:	2-125 PSI

Before installing unit, relieve upstream pressure completely. Install unit in air supply line upstream of lubricators. Unit should be installed as close as possible to tools or appliances served. Install so that airflow is in the direction indicated by the arrow on side of the unit. Unit is designed for installation in a 1/2" line, use appropriate fittings for installation in other line sizes. Apply pipe thread compound to male thread connections. Install gauge, using pipe thread compound.

WARNING: This product is intended for use on industrial compressed air systems only. It is not to be used on life support or breathing air systems. Do not install where pressures or temperatures can exceed those listed above.

OPERATION

Before pressurizing, be sure bowl is turned fully clockwise. Pressurize slowly to avoid high-pressure surge.

Before pressurizing regulator, back off T-Handle (1) to relieve pressure. Pressurize and adjust handle clockwise slowly until desired pressure is attained on gauge (2). To lock pressure, tighten nut on T-Handle stem.

Inspect daily for leaks.

Check level of accumulated liquid daily at sight glass (4) and drain moisture by turning drain cock (3) counter-clockwise.

580 CARNEGIE STREET
MANTECA, CA 95337

1-800-227-2822
FAX 209-239-5114

www.motorguard.com

Rev 01/18 33154

MAINTENANCE

On detection of air leaks, pressure fluctuation or pressure creep, depressurize system, remove bonnet and inspect diaphragm and seat for wear or foreign materials.

WARNING: Shut off air supply and drain residual pressure before attempting to service any part of the system!

Diaphragm Replacement

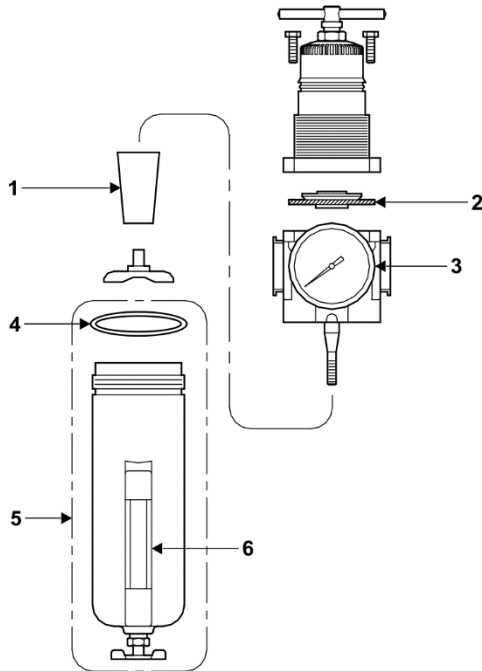
Remove four screws holding bonnet. Remove diaphragm and spring. Clean diaphragm seat and replace diaphragm and spring. Replace bonnet and reinstall screws. Tighten gradually and firmly.

Filter Cleaning

Wash filter element regularly with kerosene to maintain filtration efficiency. To clean element, depressurize system, unscrew bowl and remove element and baffle. Wash element and dry thoroughly before replacing. Wash sludge and sediment from bowl with warm soapy water. Inspect O-ring and replace if damaged or distorted. Reassemble bowl, taking care not to damage threads. After bowl is tightened it may be rotated up to 180° for proper viewing.

Filter Replacement

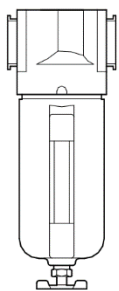
Follow procedure outlined above for the replacement of the filter element.



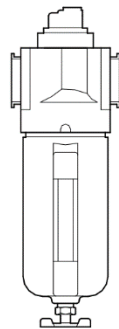
Replacement Parts

Key	Part No.	Ord. No.	Description	Qty.
1	EL4020	74020	Element, Particulate, 5 Micron	1
2	RK4033	74033	Diaphragm, Relieving	1
3	RG4045	74045	Gauge, 0-160 PSI	1
4	RK4047	74047	O-Ring, Bowl, Std. Flow	1
5	EL4003	74003	Bowl Kit w/ Sight, Std. Flow	1
6	RK4204	74204	Sight Tube Kit, Std. Flow	1

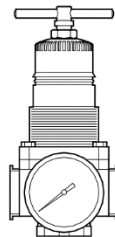
Build a Complete System with these Air Management Products from Motor Guard



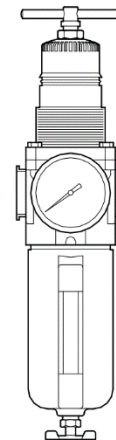
**PARTICULATE
AIR FILTER
AF-4515**



**OIL REMOVING
FILTER
CO-4515**



**PRECISION
AIR REGULATOR
RG-4520**



**COMBINATION
FILTER/REGULATOR
AC-4525**

Economical Solutions to All Your Shop Air Needs