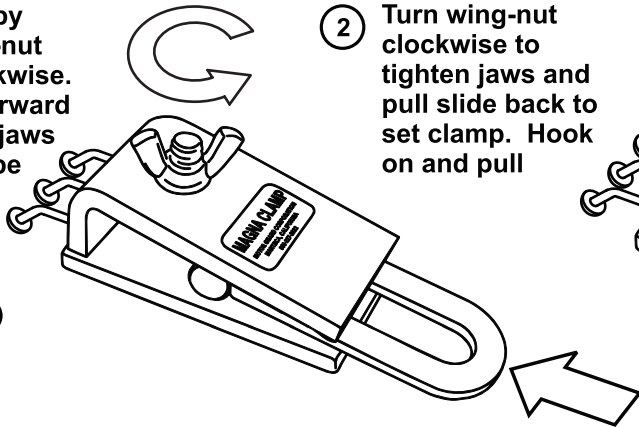


MAGNA CLAMP

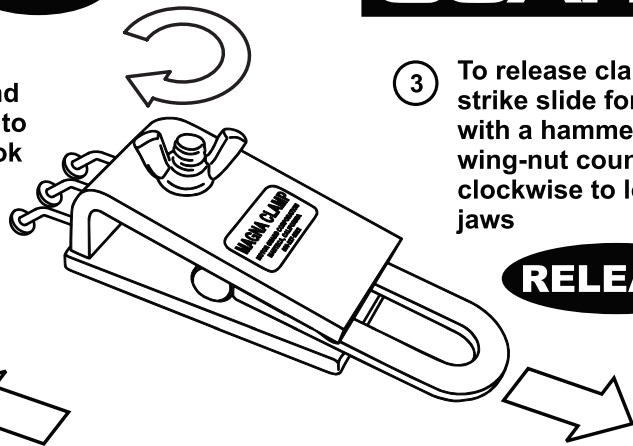
Model J20016

MOTOR GUARD

- ① Open clamp by turning wing-nut counter-clockwise. Push slide forward and position jaws over pins to be pulled



- ② Turn wing-nut clockwise to tighten jaws and pull slide back to set clamp. Hook on and pull



- ③ To release clamp, strike slide forward with a hammer. Turn wing-nut counter-clockwise to loosen jaws