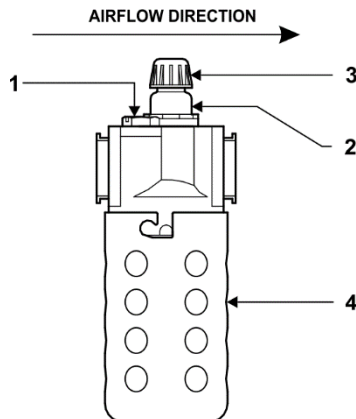


MOTOR GUARD CORPORATION

MODEL LU-4505 LUBRICATOR

INSTALLATION

The LU-4505 Lubricator is designed to automatically provide in-line delivery of lubricating oil via a metered mist of fine droplets. Oil mist delivery varies with air flow variation at any adjustment.



FEATURES

- Oil Delivery at Low Air Flow (Down to 2 SCFM)
- 3-Position Rising Adjustment Knob with Lock
- Polycarbonate Bowl with Guard (Visible Oil Level)

SPECIFICATIONS

Airflow Range:	2 – 142 SCFM
Operating Temperature Range:	40 -125 F
Maximum Inlet Pressure:	250 PSI
Port Size:	1/2 NPT
Bowl Capacity:	5 oz.
Recommended Oil:	SAE 10 or Lighter
Oil Droplet Size:	3 Microns or Less

Before installing unit, relieve upstream pressure completely. Install unit if airflow direction indicated on the head of the unit. Lubricator should be installed downstream of filters and regulators and as close as possible to the device being lubricated. Install manual shut-off valve (field supplied) upstream of unit to facilitate service. Unit is designed for installation in a 1/2" line, use appropriate fittings for installation in other line sizes. Apply pipe thread compound to male thread connections. Install unit level with bottom of bowl facing down.

WARNING: This product is intended for use on industrial compressed air systems only. It is not to be used on life support or breathing air systems. Do not install where pressures or temperatures can exceed those listed above.

WARNING: Polycarbonate bowls can rupture if exposed to solvents or other incompatible materials, whether inside or outside the bowl. Where contact with solvents or other incompatible materials is possible, a metal bowl should be used.

OPERATION

Before pressurizing, be sure bowl is turned fully clockwise. Pressurize slowly to avoid high-pressure surge.

Shut off air supply and relieve residual pressure before adding oil. Relieve residual pressure by rotating fill plug (1) slightly counter-clockwise. Remove fill plug and fill unit with SAE oil or lighter. Do not overfill. Do not remove bowl or guard while unit is pressurized.

Lubricator automatically varies oil mist delivery with air flow variation at any adjustment. The oil flow rate can be observed through the sight dome (2). Oil delivery is adjusted by rotating the adjustment knob (3) counter-clockwise. Pull the knob upward to unlock and adjust and push it down to lock. The knob may be removed to prevent adjustment by pulling firmly and replaced in the same manner. The oil flow rate setting depends on the air flow rate and on the equipment being lubricated. A general purpose applications, the recommended lubrication rates are as follows:

Line Size	Drops per Minute
3/8"	1 – 3
1/4"	2 – 6
1/2"	3 – 9
3/4"	5 - 15

Inspect daily for leaks.

580 CARNEGIE STREET
MANTECA, CA 95337

1-800-227-2822
FAX 209-239-5114

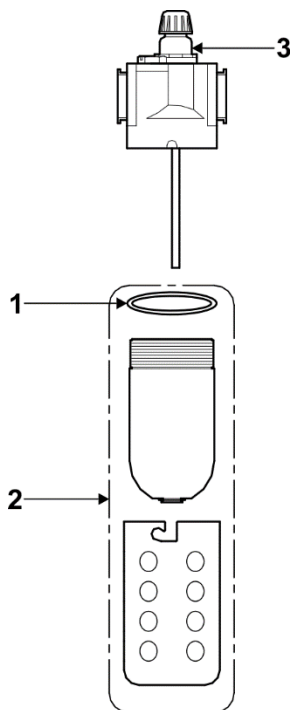
www.motorguard.com

MAINTENANCE

WARNING: Shut off air supply and drain residual pressure before attempting to service any part of the system!

Cleaning

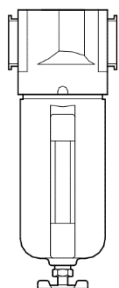
Keep unit clean by periodically removing and cleaning bowl (4) and siphon tube with warm water and a mild detergent. Rinse and dry thoroughly before returning unit to service. If oil ceases to flow freely, adjustment dome assembly should be removed, disassembled, cleaned as described above and carefully reassembled.



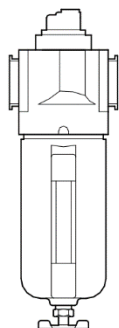
Replacement Parts

Key	Part No.	Ord. No.	Description	Qty.
1			O-Ring, Poly Bowl, Std. Flow	1
2			Bowl Kit, Poly., Std. Flow	1
3			Adjustment Dome Kit	1

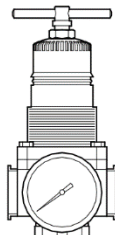
Build a Complete System with these Air Management Products from Motor Guard



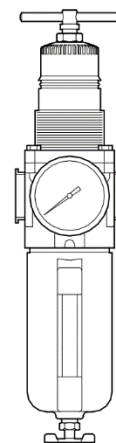
**PARTICULATE
AIR FILTER
AF-4515**



**OIL REMOVING
FILTER
CO-4515**



**PRECISION
AIR REGULATOR
RG-4520**



**COMBINATION
FILTER/REGULATOR
AC-4525**

Economical Solutions to All Your Shop Air Needs