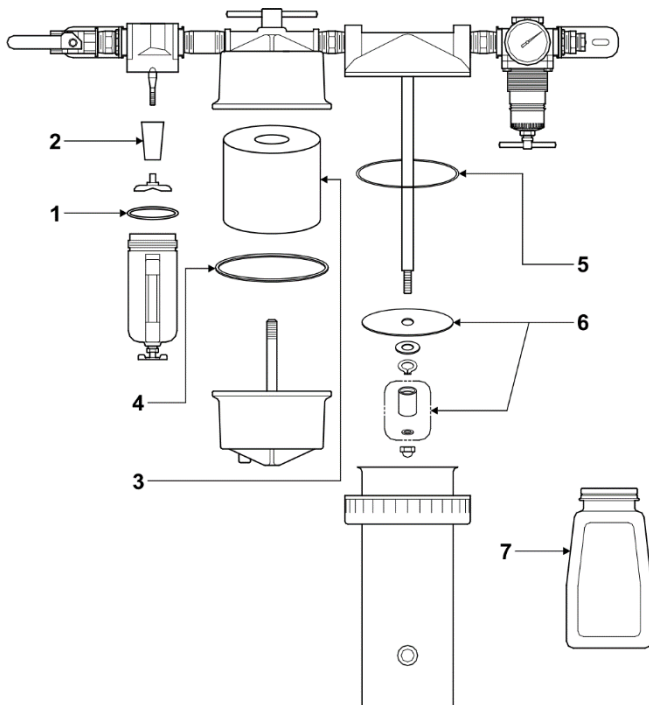


MOTOR GUARD CORPORATION

MODEL MP-0294 TUNE-UP KIT M-1000 SYSTEM SUPREME

Insure a consistent supply of clean, dry air by keeping your M-1000 compressed air conditioning system in top condition. Regular service of all components provides for maximum airflow and minimum pressure drop while preventing system leaks and providing the cleanest, driest air possible.

WARNING: Shut off supply pressure and bleed residual air pressure before servicing any part of the system!



M-400 SAHARA DESICCANT MODULE

Unscrew ring nut and remove bowl assembly. Remove used desiccant material. Remove acorn nut, gasket seal and bronze element. Remove retaining ring below element disc with suitable pliers and slide down exhaust tube. Remove washer and disc. Clean exhaust tube of desiccant dust and sludge. Install new element disc, washer, retaining ring, new bronze element, seal and nut. Remove sight glass retainer, O-ring and used desiccant. Refill sight glass with new desiccant and reassemble hand tight. Refill bowl with two quarts of new desiccant. Replace O-ring at top of bowl assembly. Petroleum jelly may be used to hold seal in place while reinstalling bowl assembly. Hand tighten ring nut.

AF-4510 PARTICULATE FILTER

Drain moisture from bowl. Remove bowl and clean accumulated sludge and debris. Unscrew baffle to remove old element. Reinstall with new element in place. Replace O-ring. Reassemble with care to avoid stripping threads. **Do not over tighten bowl.** After bowl is tightened by hand it may be rotated 180° for proper viewing.

M-60 SUB-MICRONIC FILTER MODULE

Unscrew T-handle and remove lower housing. Remove old element from housing and discard. Lift old seal from groove in lower housing and wipe groove clean. Install new seal. Insert new element into lower housing and press firmly into place. Replace housing and tighten T-handle firmly by hand.

Tune-Up Kit Includes:

Key	Part No.	Ord. No.	Description	Qty.
1	RK4047	74047	O-Ring, AF-4510	1
2	EL4026	74026	Element, AF-4510	1
3	M-723	00375	Element, M-60	1
4	106-10	21060	Seal, M-60	1
5	RK4046	74046	O-Ring, M-400	1
6	EL4016	74016	Element Kit, M-400	1
7	M-4095-Q	04094	Desiccant Quart	2

580 CARNEGIE STREET
MANTECA, CA 95337

1-800-227-2822
FAX 209-239-5114

www.motorguard.com