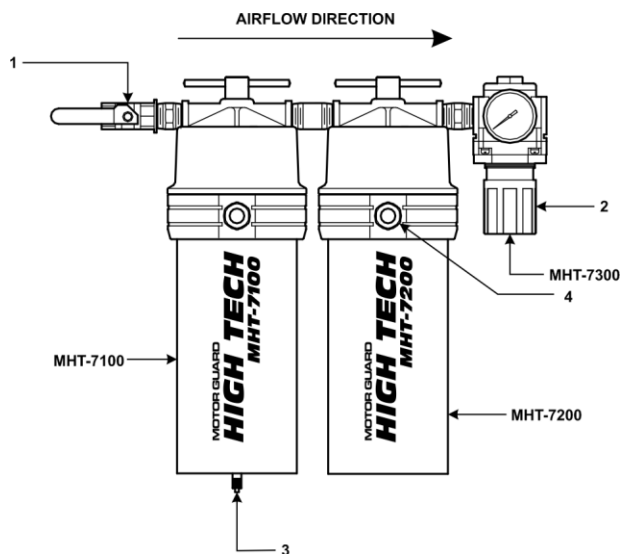


MOTOR GUARD CORPORATION

MODEL MHT-7000 HIGH TECH AIR PREPARATION SYSTEM

INSTALLATION

The MHT-7000 High Tech Air Preparation System is an advanced air for spray booths and critical refinishing operations. The system offers Six Stages of air preparation in a single unit and provides for the quickest, cleanest cartridge change in the industry.



FEATURES

MHT-7100 High-volume water trap combined with a hydrophilic depth cartridge that removes particulates, oil and water aerosols. Overnight drain valve drains accumulated moisture when pressure is off. Uses (1) **M-710** drop-in replacement

MHT-7200 Combines an activated carbon inner element to remove oil vapor to >.003 ppm with a high-capacity silica gel desiccant dryer that delivers -40°F dew point air. Color change indicator changes from blue to pink, signaling the need to replace cartridge. Uses (1) **M-720** drop-in replacement cartridge.

MHT-7300 High-capacity, true diaphragm regulator designed to set and hold pressure over a wide range of flows and conditions. High-visibility, multi-scale pressure gauge features a scratch and solvent resistant glass lens. Large, ergonomic adjustment knob locks to hold pressure setting.

SPECIFICATIONS

Nominal Airflow Rating:	30 SCFM
Maximum Inlet Pressure:	125 PSIG
Outlet Pressure Range:	2-125 PSI
Operating Temperature Range:	40-120 °F

Install unit in spray booth or near critical operation with at least 20 feet of supply line between unit and compressor. Failure to maintain this distance will cause excessive water vapor to pass through unit. Unit is designed for installation in a 1/2" line; use appropriate fittings for installation in other line sizes. Apply pipe thread compound to male thread connections. Before installing unit, relieve upstream pressure completely. Install unit level and in direction of airflow as noted. Unit should be mounted to a rigid structure and should not be supported by the supply line.



WARNING: This product is intended for use in industrial compressed air systems only. Do not install where pressures or temperatures can exceed those listed above. Not for use on breathable air applications.

Unit is supplied ready for use. Air tight plugs should be removed just prior to installation to ensure desiccant and activated carbon are not exposed to air. Supply valve (1) should be closed when unit is not in use.

A 1/4" ID flexible drain hose may be connected to overnight drain valve (3) and routed to an approved drain to prevent water accumulation in work area.

Before pressurizing, be sure T-handles are turned fully clockwise. Pressurize slowly to avoid high-pressure surge.

OPERATION

Open service valve (1) fully so that handle is parallel to inlet pipe. Turn knob on regulator (2) clockwise to increase air pressure, counter-clockwise to decrease. To reduce pressure setting, first reduce pressure to a setting lower than desired, then increase to the desired setting. Push knob up firmly to lock and prevent accidental adjustment.

Inspect daily for leaks.

Check drain (3) by shutting off supply pressure and relieving downstream pressure. Accumulated liquid should drip slowly from drain.

Check color change indicator (4) often and replace both cartridges when indicator has turned completely pink.

Regulator should be disassembled, cleaned and serviced periodically.

580 CARNEGIE STREET
MANTECA, CA 95337

1-800-227-2822
FAX 209-239-5114

www.motorguard.com

MAINTENANCE



WARNING: Shut off air supply and drain residual pressure before attempting to service any part of the system!

MHT-7100 Water Trap, Oil and Particulate Filter

Element should be replaced when it becomes saturated with water or when desiccant cartridge is replaced. Remove filter bottom housing by turning t-handle CCW and lowering bowl. Grasp element (2) by hand and remove. Install new element. Wash sludge and sediment from housing with warm, soapy water. Inspect seal (4) and replace if damaged or distorted. Reassemble housing, taking care not to damage threads. T-handle should only be hand tightened, do not use external leverage.

MHT-7200 Activated Carbon Filter and Desiccant Dryer

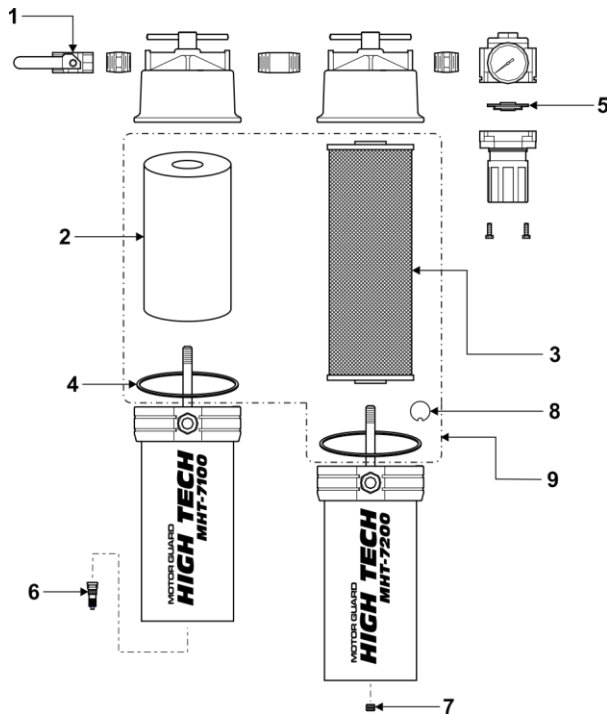
When indicator paper (8) visible through sight glass is pale pink in color, replace cartridge by turning T-handle CCW and lowering bowl. Grasp cartridge (3) by hand and remove. Install new cartridge. Wash sludge and sediment from bowl with warm, soapy water. Inspect seal (4) and replace if damaged or distorted. Replace indicator in sight glass from the inside of the bowl using a pick or similar instrument (see illustration below). Take care not to touch the new indicator paper with wet fingers. Reassemble bowl, taking care not to damage threads. T-handle should only be hand tightened, do not use external leverage.

MHT-7300 Precision Air Regulator

On detection of air leaks, pressure fluctuation or pressure creep, depressurize system and remove bottom cap. Inspect valve seat and diaphragm (5) for damage or wear. Inspect seat in head casting for foreign material or damage. Clean with kerosene and blow out with air. Replace any damaged parts.

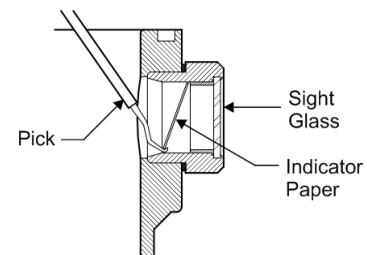
If leak persists, remove bonnet and inspect diaphragm and seat for wear or foreign materials.

To replace diaphragm, remove four screws holding bonnet. Remove diaphragm and spring. Clean diaphragm seat and replace diaphragm and spring. Replace bonnet and reinstall screws. Tighten gradually and firmly.



Replacement Parts

Key	Part No	Description	Qty.
1	RK4160	Shut-Off Valve 1/2"NPT	1
2	M-710	Replacement Cartridge M-7100	1
3	M-720	Replacement Cartridge M-7200	1
4	106-10	Seal	2
5	RK7300	Diaphragm Kit	1
6	RK4140	Overnight Drain Valve	1
7	RK4138	Hex Plug	1
8	RK7200	Indicator Paper	1
9	MP-0295	Tune-Up Kit Includes M-710/M-720 Cartridges Indicator Paper and (2) Seals	1



Indicator Paper Replacement

LIMITED WARRANTY

Motor Guard Corporation assumes the responsibility of providing equipment that is free from defects in workmanship and material. Should this product fail due to a defect in workmanship or material, Motor Guard Corporation will repair or, at its option, replace the product without charge, other than the transportation charges, provided that the product is returned to the factory, transportation prepaid, within one year of the date of purchase. Please contact Motor Guard Corporation for return authorization and shipping instructions.

This limited warranty does not cover damage to the product due to neglect, misuse or accident, nor does it cover any loss, damage or expense, either direct, indirect or consequential, arising from the non-function of this product. This limited warranty notice replaces any other warranty information, implied or otherwise, enclosed with this product or appearing in literature referring to this product.